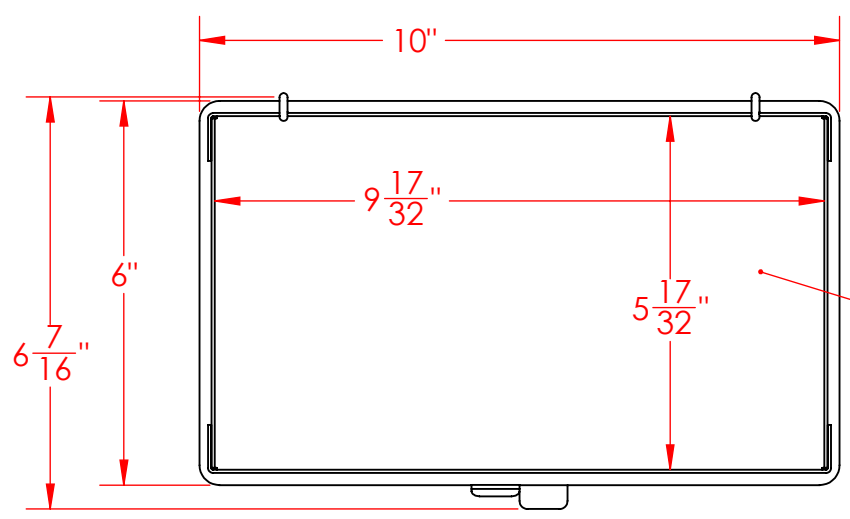
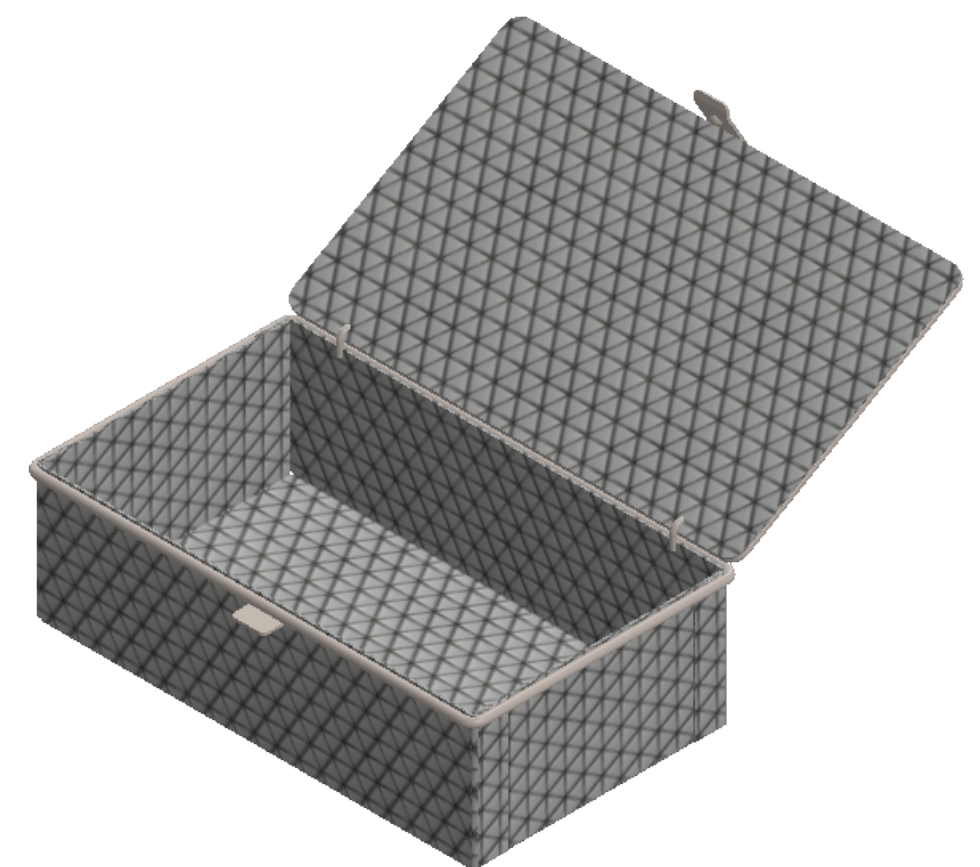


8 7 6 5 4 3 2 1

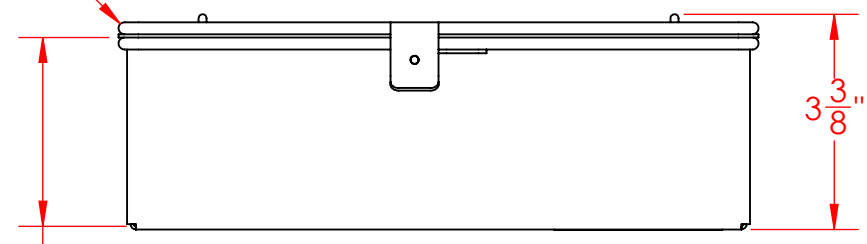
D
C
B
A



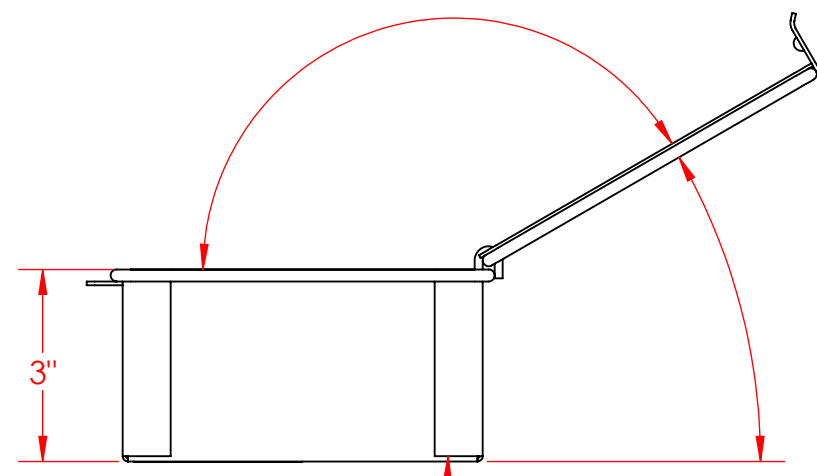
Lid Removed from View to show Approximate Inside Dimensions



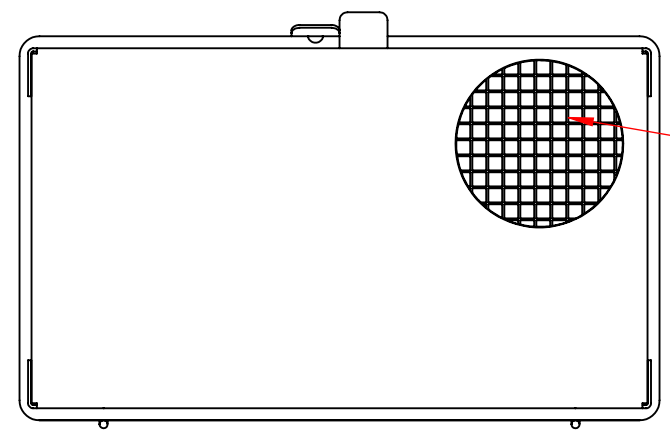
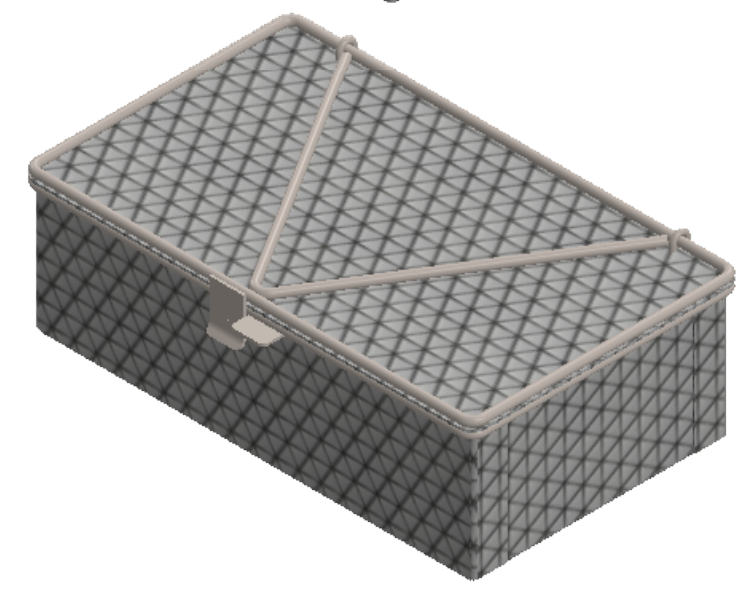
$\phi \frac{3}{16}$ "
Rod Frame



$2 \frac{15}{16}$ "
Height Under Lid



Mesh Flaps to Close and Secure Corners



One Piece Mesh Body of 4 Mesh x .032" Welded Wire (.218" Openings, 76% Open Area)

UNLESS OTHERWISE SPECIFIED:
DIMENSIONS ARE IN INCHES
TOLERANCES:
FRACTIONAL $\pm 1/16$ "
ANGULAR: ± 5 DEG.
TWO PLACE DECIMAL ± 0.03
THREE PLACE DECIMAL ± 0.015

Light Duty Mesh Basket: 10Lx6Wx3H, 304 SS, Hinged Lid with Thumb Clasp, No Handles, Mesh: 4 x .032

PROPRIETARY AND CONFIDENTIAL
THE INFORMATION CONTAINED IN THIS DRAWING IS THE SOLE PROPERTY OF THREE M TOOL. ANY REPRODUCTION IN PART OR AS A WHOLE WITHOUT THE WRITTEN PERMISSION OF THREE M TOOL IS PROHIBITED.

EST WGT
1.0 lbs.
MATERIAL
304 Stainless Steel
FINISH
Natural
DO NOT SCALE DRAWING

SIZE **B** DWG. NO. FLB-100060030-L04S

SCALE: 1:3

SHEET 1 OF 1

8 7 6 5 4 3 2 1